

DUKE

IRREVERSIBLE UNDERGROUND OPERATOR FOR SWING GATES



- DUKE is an underground operator suitable for heavy gates thanks to its oversized mechanics.
- Once the unit has been installed, only minimum maintenance is required, while the reinforced cover, mechanical design of components and anti-corrosion CATAPHORESIS treatment protect it against water, dust and rust.
- In the event of power failure, simply operate the release to move the gate leaves.
- The adjustable mechanical stopper supplied ensure the correct gate position during both opening and closing; no need to install mechanical stopper on the ground or electric limit switches.
- DUKE mechanism has been completely developed and assembled in RIB permitting to obtain a extremely silent and precise movement.

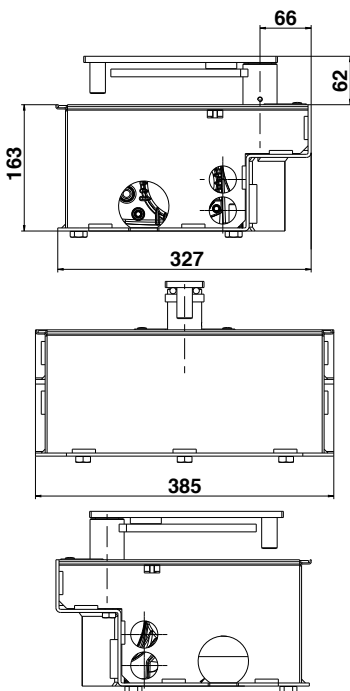
FOR SWING GATES WITH EACH LEAF UP TO 3,5 m LONG AND WEIGHING UP TO 800 kg

AA10975	DUKE 110°	(needs foundation box code ACG8435)
AA10985	DUKE 180°	(needs foundation box code ACG8436)
AA10936	DUKE 24V 110°	(needs foundation box code ACG8435)
AA10938	DUKE 24V 180°	(needs foundation box code ACG8436)

NEW

AD10980	KIT DUKE 110°	(needs 2 foundation boxes code ACG8435)
AD10936	KIT DUKE 24V 110° with T2D 24V-CRX (with impact sensor)	"

GAR0034	Warranty extension 4 years for DUKE
GAR0035	Warranty extension 7 years for DUKE
GAR0036	Warranty extension 10 years for DUKE



24 x

Dimensions in mm

Max. leaf length	m	3,5*	2,5*	2
Max. leaf weight with DUKE	Kg	400	600	800
Max. leaf weight with DUKE 24V	Kg	200	300	400

* An electric lock must be fitted to ensure efficient closing.

TECHNICAL DATA		DUKE 110°	DUKE 180°	DUKE 24V 110°	DUKE 24V 180°
Average opening time	s	20	30	20	30
Max torque	Nm	330		250	
Power supply	V	230		24V	
Power absorbed	A	0,8		5	
Actuator+box weight	kg	21	35	21	35
Protection grade	IP	677			
Operating temperature	°C	-10 ÷ +55			
Daily cycles suggested		100		150	
Service	%	50		100	
Nr of consecutive cycles guar.		22/20s	13/30s	∞/20s	∞/30s

ACCESSORIES FOR DUKE

NEW



ACG8435 FOUNDATION BOX DUKE 110° with cataphoresis treatment and cover galvanised and painted

ACG8437I INOX version

NEW



ACG8436 FOUNDATION BOX DUKE 180° with cataphoresis treatment and cover galvanised and painted

ACG8438I INOX version



137



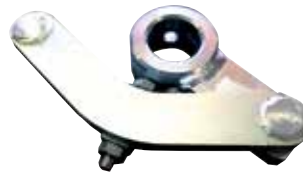
ACG2120 RELEASE LOCK with Euro DIN cylinder for DUKE PATENTED - new internal breakproof system



ACG2125 RELEASE LOCK with triangle key for DUKE PATENTED - new internal breakproof system



ACG2130 RELEASE LOCK with lever key for DUKE PATENTED - new internal breakproof system



ACG8440 C LEVER for fitting DUKE in most of no RIB foundation boxes already placed at the site

NEW



ABB2050 B2-CRX pc board (for 1 or 2 DUKE) with thrust regulator and radio receiver 433MHz. With box IP55. See pages 135 and 145

NEW



ABB2060 B2D 24V-CRX pc board (for 1 or 2 DUKE 24V) with impact sensors and radio receiver 433MHz. With box IP55. See pages 135 and 145

NEW



ACG4773 BATTERIES CHARGER for B2D 24V-CRX - It manages 2 batteries ACG9515 (or up to 12 Ah each) and can be connected to STECA SOLSUM 10.10F solar charge controller with 1 solar panel of 24V 100 W (or 2 by 12V 50 W connected in series)

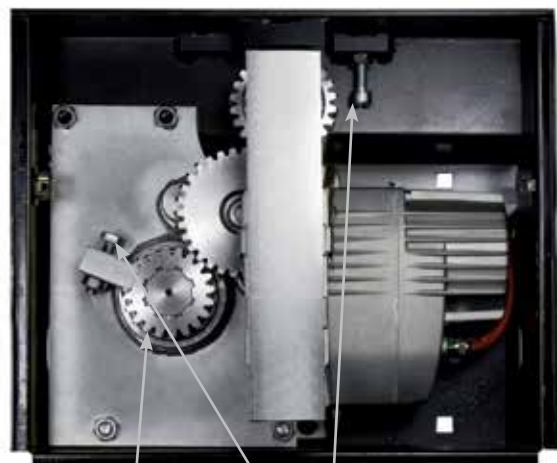


ACG9515 BATTERY 2,2Ah 12V (order 2 pieces for each ACG4773)

DUKE 110°



DUKE 180°



ADJUSTABLE OPEN-CLOSE STOPPERS

DIE CASTING ALUMINUM PAINTED WITH EPOXY POWDER PAINT

ADJUSTABLE OPEN-CLOSE STOPPERS

FOUNDATION BOX WITH ANTI-CORROSION CATAPHORESIS TREATMENT

STEEL GEARS



KIT DUKE 110°

See page 107

starting from