

# KING EVO

IRREVERSIBLE OPERATOR  
FOR SWING GATES



NEW



- KING EVO operators are available in various versions, for easy and functional use anywhere, from detached dwellings or apartment blocks to large company premises.
- It is made and designed to operate silently

and to provide long-term durability. The mechanics, with components lubricated using special synthetic grease, with the Ø20mm large 4-thread endless screw with a **double helical gear, impact-**

**proof**, have been designed to guarantee maximum silence, strength and reliability. Thanks to these special characteristics, KING EVO units can even be fitted on gates of big size.

- KING EVO 24V, with the optional buffer batteries, means that black-outs will pass totally unnoticed. It is possible to do up to **40 cycles** during the black out period. KING EVO 24V can also **work without batteries**. Thanks to its oversized mechanics and its 24 V motor, it is ideal for using on gates that undergo heavy duty usage (opening/closing frequently) such as apartment buildings.
- All the versions come with a mechanical limit switch for opening supplied as standard.

**FOR SWING GATES WITH EACH LEAF UP TO 4 m LONG AND WEIGHING UP TO 400 kg**

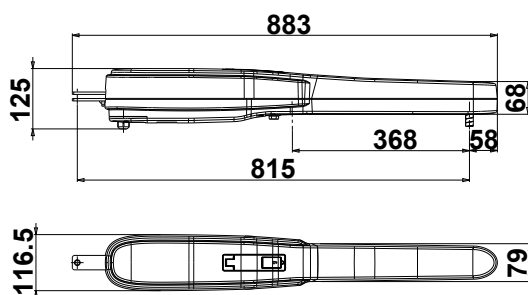
AA14050	KING EVO
AA14060	KING EVO <b>ICE</b> with temperature sensor
AA14090	KING EVO 24V with 24V motor for intensive use

AD14050B	KIT KING EVO
AD14060B	KIT KING EVO <b>ICE</b>
AD14090	KIT KING EVO 24V with T2 24V-CRX (with adjustable impact sensor)

In case the leaf is longer than 2,5 meters an electric lock must be fitted to ensure efficient closing.

**ICE** is suitable to work at temperatures as low as -30°C only if it is connected to the B2 control panel. Only a single KING EVO **ICE** is necessary for every pair of motors installed.

GAR0026	Warranty extension 4 years for KING EVO
GAR0027	Warranty extension 7 years for KING EVO



Dimensions in mm

36 x



TECHNICAL DATA		KING EVO	KING EVO <b>ICE</b>	KING EVO 24V
Max. leaf length	m	4		
Max. leaf weight	kg	400		
Max. stroke	mm	368*		
Average opening time 90°	s	20÷25		16÷21
Max thrust	N	2570		1150
Power supply	V	230		24
Power absorbed	A	1,13		2,8
Actuator weight	kg	12,5		11,5
Protection grade	IP	44		
Operating temperature	°C	-10 ÷ +55	-30 ÷ +55	-10 ÷ +55
Daily cycles suggested		150		
Service	%	60		90
Nr of consecutive cycles guar.		30/19s		150/16s

\* With incorporated mechanical stopper for opening phase. If the mechanical stopper is used during closing (optional - code ACG8088), the maximum travel is reduced by 40 mm.

# ACCESSORIES FOR KING EVO

**NEW**



**ABB2050 B2-CRX**  
pc board (for 1 or 2 KING EVO)  
with thrust regulator and radio  
receiver 433MHz. With box IP55.  
See pages 135 and 145

**NEW**

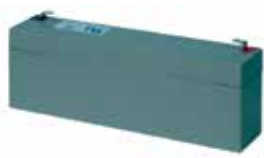


**ABB2070 B2 24V-CRX**  
pc board (for 1 or 2 KING EVO 24V)  
with adjustable impact sensor  
and radio receiver 433MHz.  
With box IP55.  
See pages 135 and 145

**NEW**



**ACG4773 BATTERIES CHARGER**  
for B2 24V - It manages 2  
batteries ACG9515 (or up to 12  
Ah each) and can be connected  
to STECA SOLSUM 10.10F solar  
charge controller with 1 solar  
panel of 24V 100 W (or 2 by 12V  
50 W connected in series)



**ACG9515 BATTERY**  
2,2Ah 12V (order 2 pieces for each  
ACG4773)



**ACG4810 STOPPER**  
mechanical stopper for closing  
position (to be used when ground  
stopper not available)



**ACG8093 COVER WITH REVOLVING  
CABLE GLAND DEVICE IP54** for Ø20  
flexible conduits for electric cable  
(KING EVO standard has cover with  
cable gland)



**Adjustable column bracket**  
  
standard with the operator



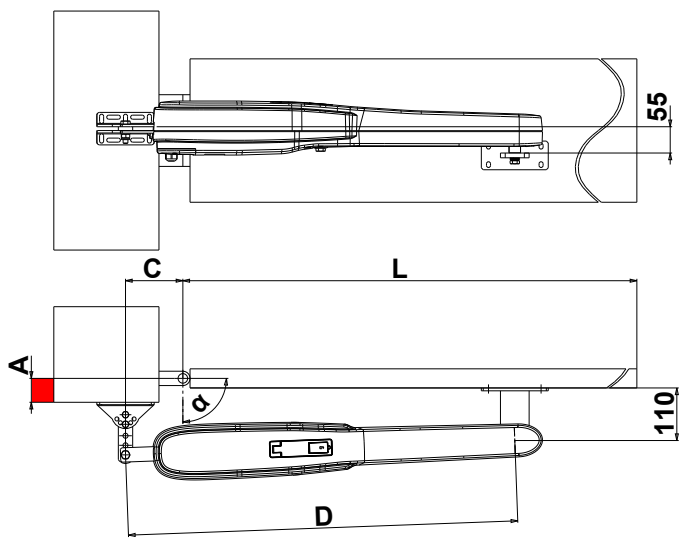
**Leaf bracket**  
  
standard with the operator



**KING EVO / KING - Leaf bracket  
adapter**  
  
standard with the operator



**ATI/AXI/AXO CAME Column bracket  
Adapter**  
  
standard with the operator



A max	$\alpha$ max	C	D	T max sec
0÷20	110°	120	815	24
20÷40				26
40÷60	27			
60÷100	29			
100÷120	30			
120÷140	31			

Data about KING EVO installation with 1 mechanical stopper  
T = Opening time detected with active slow down

Compatible with CAME ATI 3000 and AXO 3000/4000 brackets (with standard ATI/AXI/AXO CAME adapter)  
Compatible with column bracket of CAME AXI 2000 and 2500 (use KING EVO leaf bracket)  
Compatible with column bracket of NICE TOONA 4 (use KING EVO leaf bracket)

## KIT KING EVO

See page 106

starting from

137

# KING EVO L



IRREVERSIBLE OPERATOR  
FOR SWING GATES



NEW



- KING EVO L operators are available in various versions, for easy and functional use anywhere, from detached dwellings or apartment blocks to large company premises.
- It is made and designed to operate silently and to provide long-term durability.

The mechanics, with components lubricated using special synthetic grease, with the 20mm large 4-thread endless screw with a **double helical gear, impact-proof**, have been designed to guarantee maximum silence, strength and reliability. Thanks to these special characteristics, KING

EVO L units can even be fitted on gates of big size.

- KING EVO L 24V, with the optional buffer batteries, means that black-outs will pass totally unnoticed. It is possible to do up to **40 cycles** during the black out period. KING EVO L 24V can also **work without batteries**. Thanks to its oversized mechanics and its 24 V motor, it is ideal for using on gates that undergo heavy duty usage (opening/closing frequently) such as apartment buildings.
- All the versions come with a mechanical limit switch for opening supplied as standard.

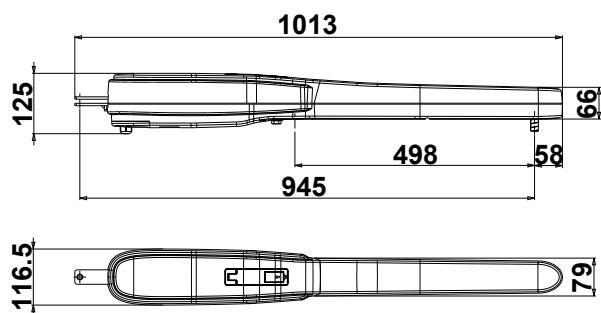
## FOR SWING GATES WITH EACH LEAF UP TO 5 m LONG AND WEIGHING UP TO 500 kg

AA14070	KING EVO L
AA14075	KING EVO L <b>ICE</b> with temperature sensor
AA14092	KING EVO L 24V for intensive use

In case the leaf is longer than 2,5 meters an electric lock must be fitted to ensure efficient closing.

**ICE** is suitable to work at temperatures as low as -30°C only if it is connected to the B2 control panel. Only a single KING EVO L **ICE** is necessary for every pair of motors installed.

GAR0028	Warranty extension 4 years for KING EVO L
GAR0029	Warranty extension 7 years for KING EVO L



Dimensions in mm

36 x



TECHNICAL DATA		KING EVO L	KING EVO L <b>ICE</b>	KING EVO L 24V
Max. leaf length	m	5		
Max. leaf weight	kg	500		
Max. stroke	mm	498*		
Average opening time 90°	s	26÷33		24÷29
Max thrust	N	2570		1150
Power supply	V	230		24
Power absorbed	A	1,13		2,8
Actuator weight	kg	13,3		12,3
Protection grade	IP	44		
Operating temperature	°C	-10 ÷ +55	-30 ÷ +55	-10 ÷ +55
Daily cycles suggested		150		
Service	%	60		90
Nr of consecutive cycles guar.		20/26s		100/24s

\* With incorporated mechanical stopper for opening phase. If the mechanical stopper is used during closing (optional - code ACG8088), the maximum travel is reduced by 40 mm.

## ACCESSORIES FOR KING EVO L

**NEW**



**ABB2050 B2-CRX**  
pc board (for 1 or 2 KING EVO L)  
with thrust regulator and radio  
receiver 433MHz. With box IP55.  
See pages 135 and 145

**NEW**



**ABB2070 B2 24V-CRX**  
pc board (for 1 or 2 KING EVO  
L 24V) with adjustable impact  
sensor and radio receiver 433MHz.  
With box IP55.  
See pages 135 and 145

**NEW**



**ACG4773 BATTERIES CHARGER**  
for B2 24V - It manages 2  
batteries ACG9515 (or up to 12  
Ah each) and can be connected  
to STECA SOLSUM 10.10F solar  
charge controller with 1 solar  
panel of 24V 100 W (or 2 by 12V  
50 W connected in series)



**ACG9515 BATTERY**  
2,2Ah 12V (order 2 pieces for each  
ACG4773)



**137**



**ACG8093 COVER WITH REVOLVING  
CABLE GLAND DEVICE IP54** for Ø20  
flexible conduits for electric cable  
(KING EVO L standard has cover  
with cable gland)



**ACG4810 STOPPER**  
mechanical stopper for closing  
position (to be used when ground  
stopper not available)



**Column bracket**  
  
standard with the operator



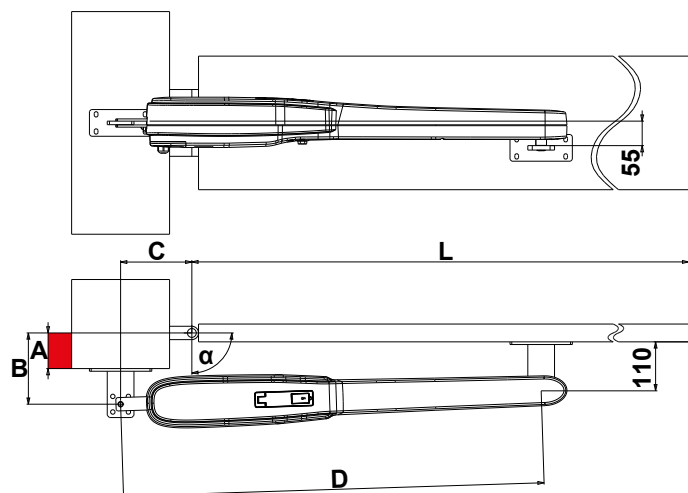
**Leaf bracket**  
  
standard with the operator



**KING EVO L / KING L - Leaf bracket  
adapter**  
  
standard with the operator



**ATI/AXI/AXO CAME Column bracket  
Adapter**  
  
standard with the operator



A max	$\alpha$ max	B	C	D	T max sec
0÷100	115°	170			33
100÷140	110°	200	160	945	35
140÷180	105°	250			38

Data about KING EVO L installation with 1 mechanical stopper  
T = Opening time detected with active slow down

Compatible with CAME ATI 5000 brackets (with standard ATI/AXI/AXO CAME adapter)  
Compatible with column bracket of NICE TOONA 5 (use KING EVO L leaf bracket)