

PREMIER

IRREVERSIBLE OPERATOR
FOR SWING GATES



- **PREMIER** is an electro-mechanical irreversible operator and it is designed to open swing gates installed on large pillars, where the distance between hinge and hedge of the pillar is rather considerable. Opening radius of the gate leaf is 105°.
- **ANTI THEFT LOCKING DEVICE** - PREMIER is equipped with an anti theft locking device on the drive arm, which prevents the lever from swinging open if pushed from outside when the gate is closed.
- **ANTI-CRUSHING SAFETY SYSTEM.** PREMIER has adjustable impact sensors that allow operations in maximum safety conditions and permits the slowing down during closing and opening to comply with regulation EN12453.
- **OPTIONAL BACK-UP BATTERIES.** PREMIER can be equipped with back-up batteries for working even during black-outs. Batteries are in operation only during power failure and they recharge automatically when power is resumed. To obtain this feature, simply connect the accessories to the Batteries Charger card (code ACG4774) and 2 12 V Batteries (code ACG9515). With these 2 batteries it is possible to perform up to 90 consecutive cycles.
- **USER-FRIENDLY ELECTRONICS.** B2 24V is the control board especially designed for Premier. It is easy to programme, it has pedestrian opening feature, slowing down during opening and closing, built-in 433 MHz radio receiver, adjustable impact sensor for each single gate leaf and a photocells automatic test feature that complies with EN12453 regulation.
- **EASY RELEASE SYSTEM.** In case of a black-out (for PREMIER not equipped with back-up batteries) unlocking the PREMIER is quick and easy. Just use the provided key and turn the lock by 180° degree. You will then be able to pull open the gate manually.
- **MECHANICAL STOPPERS ALREADY EQUIPPED.** On the lower part of the PREMIER there are two mechanical stoppers (opening and closing position) already provided. They guarantee an accurate stop at the end of the travel of the gate leaf.

FOR SWING GATES WITH EACH LEAF UP TO 3 m LONG AND WEIGHING UP TO 300 kg

NEW

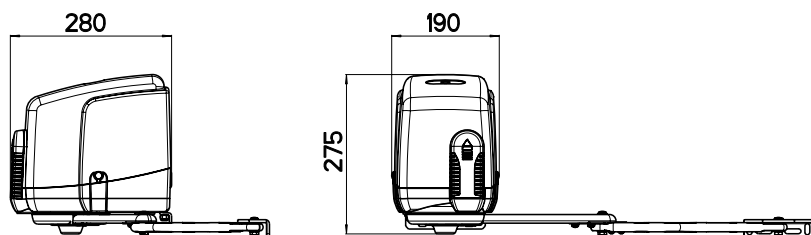
AA18018	PREMIER 24V with pc board B2 24V-CRX (Master)	(with impact sensor)
AA18014B	PREMIER 24V without pc board (Slave)	

Levers not included

In case the leaf is longer than 2 meters an electric lock must be fitted to ensure efficient closing.

AD18010B	KIT PREMIER 24V with T2 24V-CRX (with impact sensor)
----------	--

GAR0030	Warranty extension 4 years for PREMIER 24V
GAR0031	Warranty extension 7 years for PREMIER 24V



36 x

Dimensions in mm

TECHNICAL DATA		PREMIER 24V
Max. leaf length	m	3
Max. leaf weight	kg	300
Average opening time 90°	s	17
Max torque	Nm	150
Power supply	V	230
Power absorbed	A	0,3
Actuator weight	kg	7,5
Protection grade	IP	44
Operating temperature	°C	-30 ÷ +55
Daily cycles suggested		60
Service	%	80
Nr of consecutive cycles guar.		60/17s

ACCESSORIES FOR PREMIER



ACG8023B STANDARD LEVER
 (for leaves with a distance up to 240 mm between the hinge of the leaf and the internal side of the pillar)



ACG8034B LONG LEVER
 (for leaves with a distance up to 500 mm between the hinge of the leaf and the internal side of the pillar)



ACG8022 STEEL RELEASE CORD
 for external unlocking.
 To be used with the Strong boxes ACJ9071 and ACJ9078
 L = 5 m

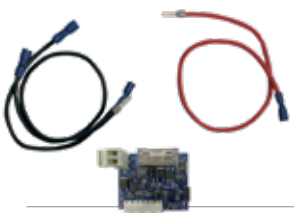


ACJ9071 FLAT
 Strong box to be fitted onto the wall
 IP 54



ACJ9078 STONE
 Strong box to be embedded into the wall
 IP 54

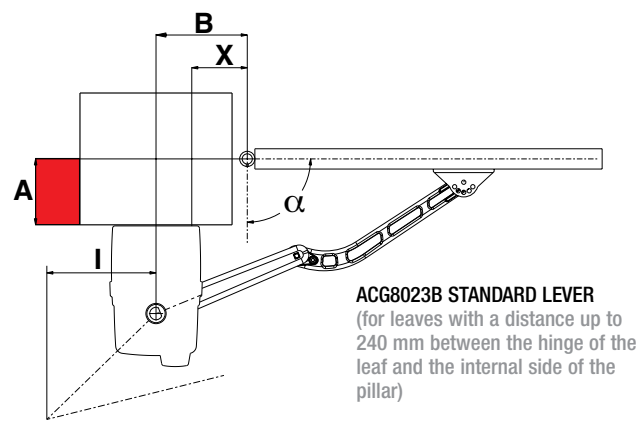
NEW



ACG4774 BATTERIES CHARGER
 for PREMIER with B2 24V
 It manages 2 batteries ACG9515 (or up to 12 Ah each) and can be connected to STECA SOLSUM 10.10F solar charge controller with 1 solar panel of 24V 100 W (or 2 by 12V 50 W connected in series)

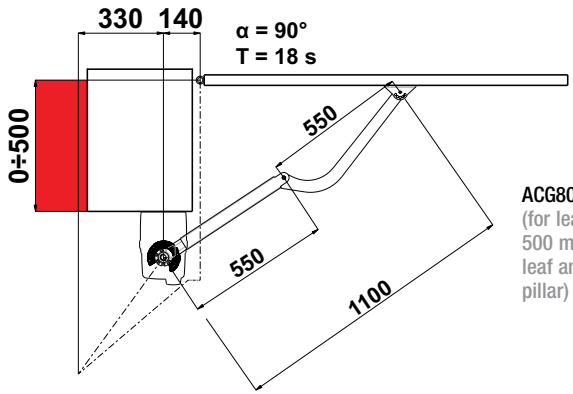


ACG9515 BATTERY
 2,2Ah 12V (order 2 pieces for each ACG4773)



α	A _{max}	A* _{max}	X	B	I	T _{sec}
90°	140	190	60	130	300	20
	200	200	70	140	270	19
	205	205	80	150	230	18
	225	225	90	160	135	16
	-	240	110	180	0	15
95°	0	0	70	140	284	18
100°	0	0	90	160	302	19
105°	0	0	110	180	315	19
110°	0	0	155	225	322	19

A max* - In case only one mechanical stopper is used in opening



KIT PREMIER

See page 107

starting from