

# STOPPER

CHAIN BARRIER



- STOPPER is a new chain barrier for controlling P1 areas and passageways up to 20 m wide.
- The complete system STOPPER (1 STOPPER MASTER+1 STOPPER SLAVE) is endowed with two 24V motors which can lift a chain weighing up to 8,5 kg.
- STOPPER is endowed with an impact sensor system, in order to guarantee max safety during operation.
- It is advisable to fit a floor-level chain protection ramp.

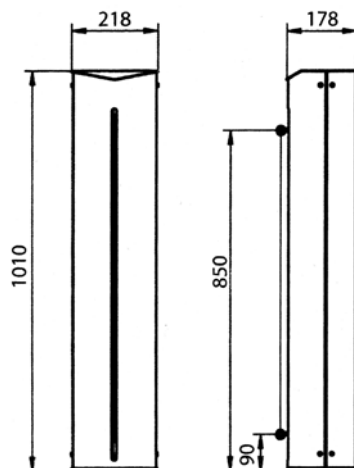
**Pc board STOPPER already inside STOPPER MASTER:**

- it controls 1 STOPPER MASTER + 1 STOPPER SLAVE
- impact sensor for the impact detection
- encoder for the travel learning
- slow speed in approaching
- programmable automatic closing
- it controls photocells, key selector, batteries charger, blinker 24V
- radio receiver not included
- radio command - step by step (open - stop - close)
- single command - step by step (open - stop - close)

## BARRIER WITH CHAIN UP TO 20 m LONG - OPENS IN 15 SECONDS

AA51200	STOPPER MASTER	with pc board
AA51205	STOPPER SLAVE	without pc board

GAR0058	Warranty extension 4 years for STOPPER
GAR0059	Warranty extension 7 years for STOPPER



Dimensions in mm

TECHNICAL DATA		STOPPER
Max length chain	m	20
Max weight chain	kg	8,5
Max torque	Nm	645
Power supply	V	230
Power absorbed	A	1
Weight	kg	25
Protection grade	IP	34
Operating temperature	°C	-20 ÷ +55
Daily cycles suggested		200
Service	%	50
Nr of consecutive cycles guaranteed		200

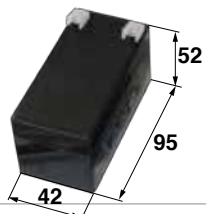
**ACCESSORIES FOR STOPPER**



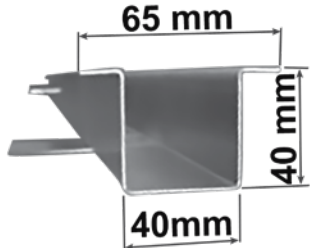
**ACG5480 STEEL CHAIN**  
 Ø 5 mm  
 red and white  
 per m




**ACG5481 CHAIN PROTECTION GUIDE**  
 to fit at floor level  
 L = 2 m

**ACG9511 BATTERY**  
 1,2Ah 12V (order 2 pieces for each ACG5482)



**ACG5082 Receiver S433 1CH**  
 with terminal block, 1 channel,  
 with plastic container  
 Dim. 125x54x30



**ACG5482 BATTERIES CHARGER STOPPER**  
 (need 2 pieces of ACG9511)  
 with plastic container



**ACG9060 METALLIC MASS DETECTOR**  
 to open with vehicles  
 1 channel - 230 Vac



**ACG9063 METALLIC MASS DETECTOR**  
 to open with vehicles  
 1 channel - 12÷24 Vac/dc



**ACG9064 METALLIC MASS DETECTOR**  
 to open with vehicles  
 2 channels - 12÷24 Vac/dc



**ACG9067 PRE-ASSEMBLED LOOP 6M**  
 perimeter 2 x 1+15m of cable



**ACG9068 PRE-ASSEMBLED LOOP 10M**  
 perimeter 3 x 2+15m of cable