

INDUSTRIAL



**AUTOMATIC BARRIER
FOR ACCESS CONTROL**



- Irreversible barrier with boom length between 7,5 and 12 m.
- INDUSTRIAL is an electro-mechanical automatic barrier for industrial applications.
- The high power of its gear motor enables INDUSTRIAL to operate booms up to 12 m long without the need of maintenance for years.
- In the event of power failure, there is a practical handle for moving the boom manually.
- Thanks to its dependability our INDUSTRIAL barrier has been one of the most appreciated RIB operators for almost 30 years



FOR BOOM UP TO 12 m LONG - OPENS IN 16 SECONDS

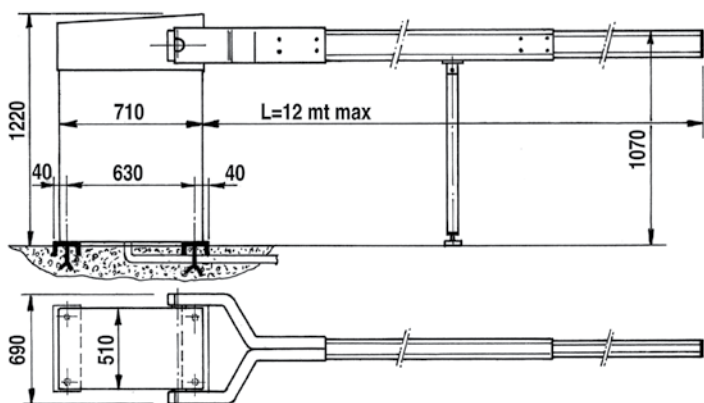
NEW

- AA52012 INDUSTRIAL with fixing hub, needs base plate and boom arm 7,5 ÷ 12 m
- AA52014 INDUSTRIAL **ICE**

INDUSTRIAL barrier is endowed with P1-CRX pc board. Please refer to pages 136 and 146 for the features.

ICE With special lubricants (for immediate starts with temperatures as low as -30°C)

- GAR0055 Warranty extension 4 years for INDUSTRIAL
- GAR0056 Warranty extension 7 years for INDUSTRIAL
- GAR0057 Warranty extension 10 years for INDUSTRIAL

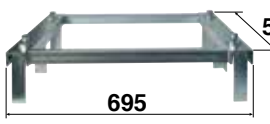


1 x 

Dimensions in mm

TECHNICAL DATA		INDUSTRIAL
Max. boom length	m	7,5-12
Opening time	s	16
Max. torque	Nm	800
Power supply	V	230
Power absorbed	A	2,43
Actuator weight	kg	210
Protection grade	IP	55
Operating temperature	°C	-10 ÷ +55
Daily cycles suggested		300
Service	%	100
Nr of consecutive cycles guaranteed		35

ACCESSORIES FOR INDUSTRIAL



520 ACG8112 BASE PLATE



ACG8512 OCTAGONAL BOOM ARM
L=7,5m ÷ 12 m
with cutting to size



137



ACG8290B HANGING RACK L=2m
Real lenght 1,63m

ACG8291B HANGING RACK L=3m
Real lenght 2,55m



ACG8527 STICKERS
for OCTAGONAL BOOM ARMS
12 pieces



ACG9130G FIXED FORK TYPE
BOOM ARM SUPPORT
for all boom arms



ACG8285 TELESCOPIC HANGING
SUPPORT
with height regulation



ACG8070G COLUMN WITH
ELECTROMAGNETIC LOCK
with DEGAUSSER CARD and
transformer



ACQ9080 1 Relay Card
to obtain a 1 second contact or
supplies for 3 minutes a 40W max
light



ACQ9081 3 Relay Card
to manage courtesy light, traffic
light, electromagnetic lock with
P1-CRX



ACG9060 METALLIC MASS
DETECTOR
to open with vehicles
1 channel - 230 Vac



ACG9063 METALLIC MASS
DETECTOR
to open with vehicles
1 channel - 12÷24 Vac/dc



ACG9064 METALLIC MASS
DETECTOR
to open with vehicles
2 channels - 12÷24 Vac/dc



ACG9067 PRE-ASSEMBLED
LOOP 6M
perimeter 2 x 1+15m of cable



ACG9068 PRE-ASSEMBLED
LOOP 10M
perimeter 3 x 2+15m of cable