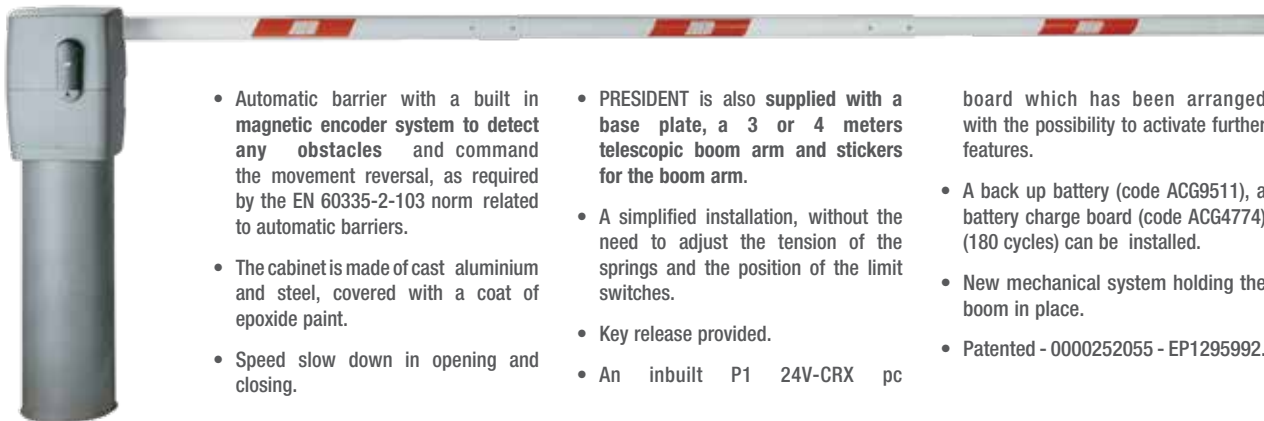


# PRESIDENT



**AUTOMATIC BARRIER  
FOR ACCESS CONTROL**



- Automatic barrier with a built in magnetic encoder system to detect any obstacles and command the movement reversal, as required by the EN 60335-2-103 norm related to automatic barriers.
- The cabinet is made of cast aluminium and steel, covered with a coat of epoxide paint.
- Speed slow down in opening and closing.
- PRESIDENT is also supplied with a base plate, a 3 or 4 meters telescopic boom arm and stickers for the boom arm.
- A simplified installation, without the need to adjust the tension of the springs and the position of the limit switches.
- Key release provided.
- An inbuilt P1 24V-CRX pc board which has been arranged with the possibility to activate further features.
- A back up battery (code ACG9511), a battery charge board (code ACG4774) (180 cycles) can be installed.
- New mechanical system holding the boom in place.
- Patented - 0000252055 - EP1295992.

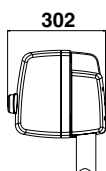
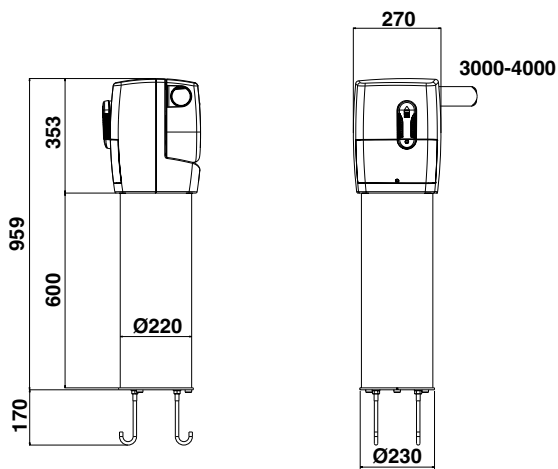
## WITH BOOM UP TO 4 m LONG - OPENS IN 3 SECONDS

**NEW**

- AA50091 PRESIDENT 24V with P1 24V-CRX, L=3m telescopic boom arm, base plate and stickers
- AA50093 PRESIDENT 24V with P1 24V-CRX, L=4m telescopic boom arm, base plate and stickers

\* P1 24V-CRX - To see all its many features see pages 136 and 146

- GAR0045 Warranty extension 4 years for PRESIDENT
- GAR0046 Warranty extension 7 years for PRESIDENT



Dimensions in mm

TECHNICAL DATA		PRESIDENT	PRESIDENT
		3M	4M
Max. boom lenght	m	3	4
Opening time	s	3	3,5
Max. torque	Nm	100	130
Power supply	V	230	
Power absorbed	A	0,32	
Actuator weight	kg	40	
Protection grade	IP	44	
Operating temperature	°C	-10 ÷ +55	
Daily cycles suggested		600	
Service	%	100	
Nr of consecutive cycles guaranteed		600	400

# ACCESSORIES FOR PRESIDENT

**NEW**



**ACG4774 BATTERIES CHARGER**  
for P1 24V-CRX - It manages 2 batteries ACG9511 (or up to 12 Ah each) and can be connected to STECA SOLSUM 10.10F solar charge controller with 1 solar panel of 24V 100 W (or 2 by 12V 50 W connected in series)



**ACG9511 BATTERY**  
1,2Ah 12V (order 2 pieces for each BATTERIES CHARGER ACG4774)



**ACQ9080 1 Relay Card**  
to obtain a 1 second contact or supplies for 3 minutes a 40W max light



**ACQ9081 3 Relay Card**  
to manage a courtesy light and a traffic light



**ACG9130G FIXED FORK TYPE BOOM ARM SUPPORT**  
for all boom arms



**ACG9060 METALLIC MASS DETECTOR**  
to open with vehicles  
1 channel - 230 Vac



**ACG9063 METALLIC MASS DETECTOR**  
to open with vehicles  
1 channel - 12÷24 Vac/dc



**ACG9064 METALLIC MASS DETECTOR**  
to open with vehicles  
2 channels - 12÷24 Vac/dc



**ACG9067 PRE-ASSEMBLED LOOP 6M**  
perimeter 2 x 1+15m of cable



**ACG9068 PRE-ASSEMBLED LOOP 10M**  
perimeter 3 x 2+15m of cable

