

UP 2.0

AUTOMATIC SWINGING DOOR



NEW



THE ENERGY SAVING TECHNOLOGY OF UP

UP 2.0 is the new automatic swinging door by RIB.

It allows an installation complying with the new norms EN16005 and a conspicuous saving of energy for the end user (only 3W) when in stand-by, but also during the standard operation.

It has a control panel quick and easy to program.

Its encoder permits to detect the leaf position and the obstacles presence with precision.

UP 2.0 can manage a swing door which opens left-side, right-side, inside and outside.

FOR A LEAF UP TO 1,5 m LONG AND WEIGHING UP TO 250 kg

AA12050B UP 2.0 for external opening - complete with articulated arm

AA12052B UP 2.0 for internal opening - complete with sliding arm



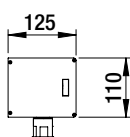
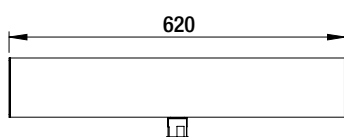
Articulated arm
for external opening



Sliding arm
for internal opening

GAR0070 Warranty extension 4 years for UP 2.0

GAR0071 Warranty extension 7 years for UP 2.0



Dimensions in mm

TECHNICAL DATA	UP 2.0
Opening/closing time	1,5÷8 s / 90°
Maximum torque	45 Nm
Power supply	full range 100 ÷ 240 Vac 50/60 Hz
Stand-by Absorption	3 W
Maximum Absorption	70 W
Accessories power supply	24 Vdc = 1 A max
Service	100%
Operating temperature	-15°C / +50°C
Protection degree	IP 31



137

Using the automation with the maximum weight could reduce its performances.

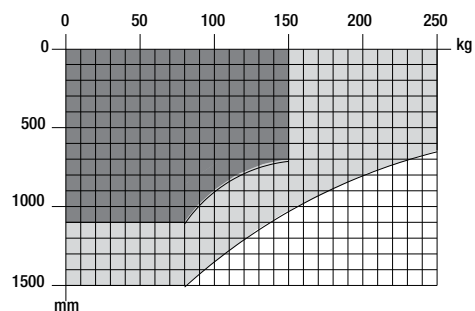
The frequency of use is only indicative.

Data are collected under average conditions of use and cannot be defined for each single case.

Each automatic access may be affected by variable elements such as: friction, balancing and environmental factors which may substantially alter both the duration and the performance characteristics of the automatic access or parts thereof.

The installer shall be responsible for adopting suitable safety conditions for each particular installation.

- Recommended dimensions
- Limit dimensions
- Use not allowed



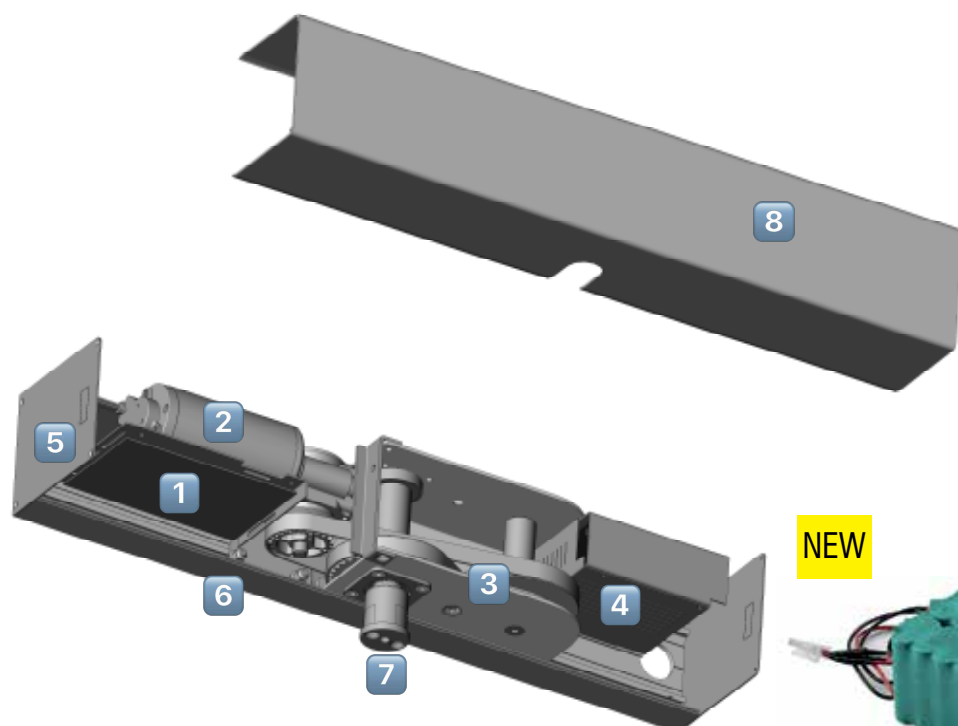
TECHNICAL DATA

Modularity and compactness. An easy-to-install method that makes the installation procedure run incredibly smoothly.

Technical devices that allow a performing and user-friendly approach.

- Tamper-proof locking screws
- Reversible motor reducers and transmission units
- Easy-to-access connection terminal blocks
- Visible leds to help safeties and opening commands checks.

- 100÷240V 50/60 Hz power supply with switching full-range technology
- 3W - low-consumption standby power
- Selflearning of calibration and working parameters
- Built-in batteries charger
- Synchronized management of low-power electromechanical lock
- Positioning encoder and obstacle detection.
- Permits to create a system conform to new norm EN16005 adding EN13849-1 CAT 2 and EN12978 Certified Safety Devices.



IDENTIFICATION OF THE PARTS

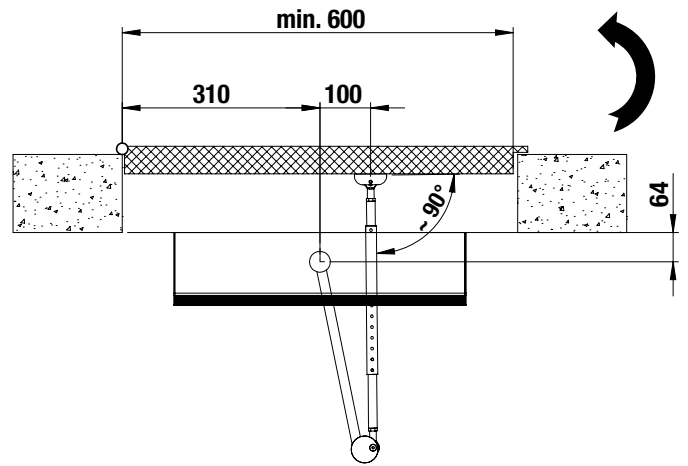
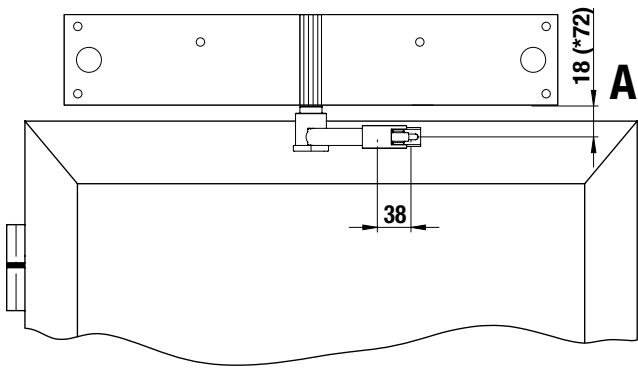
1. Control unit UP 2.0
2. 24Vdc geared motor with encoder
3. Reduction unit
4. Full range power supply 100 ÷ 240Vac 50/60 Hz
5. Side head
6. Aluminum frame
7. Arm attachment bushing
8. Carter in aluminum

NEW



ACG9632 UP 2.0 BATTERIES KIT

UP 2.0 with articulated arm cod. AA12050B for outside openings



(*) If needed, use the extension bush ACG9485 to increase the gap "A" between the automation and the arm to 72 mm.



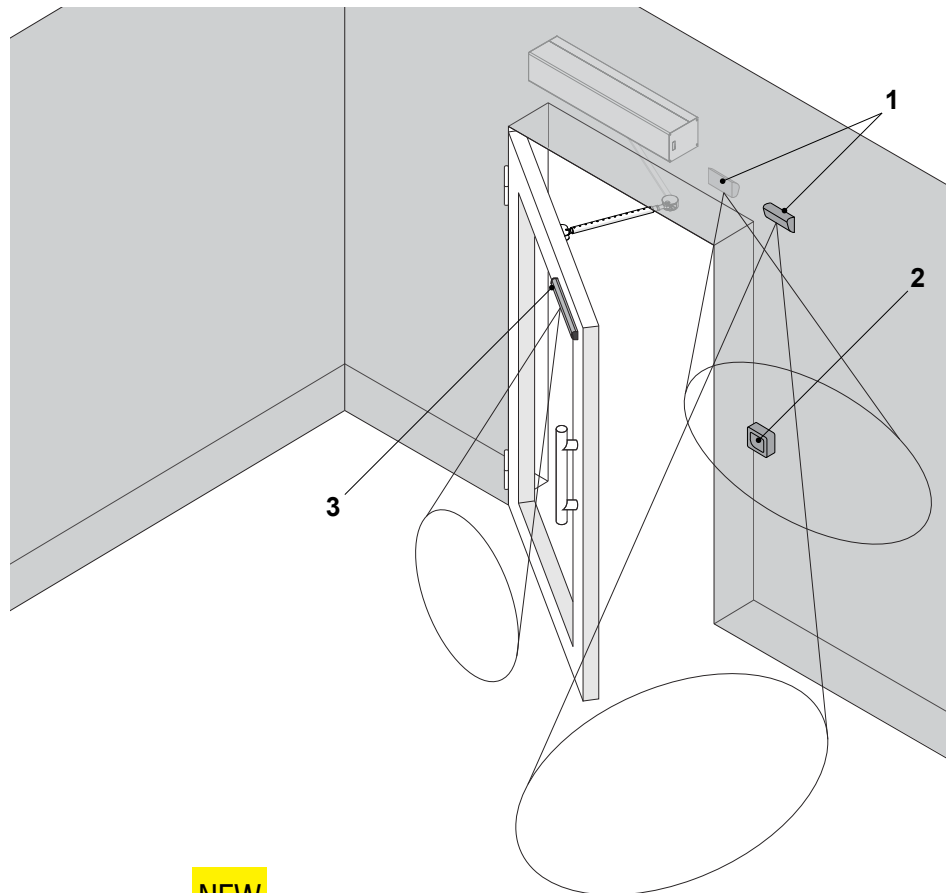
ACG9485 Extension bush



Articulated arm

UP 2.0 with articulated arm

- 1 - ACG9420B Microwave radar. IP30
- 2 - ACG9475B Multifunction rotary switch for swing door.
wall-mounted/embedded - IP54
- 3 - ACG9478 Safety sensor for swing door.
DIN 18650 / EN16005. IP54



NEW



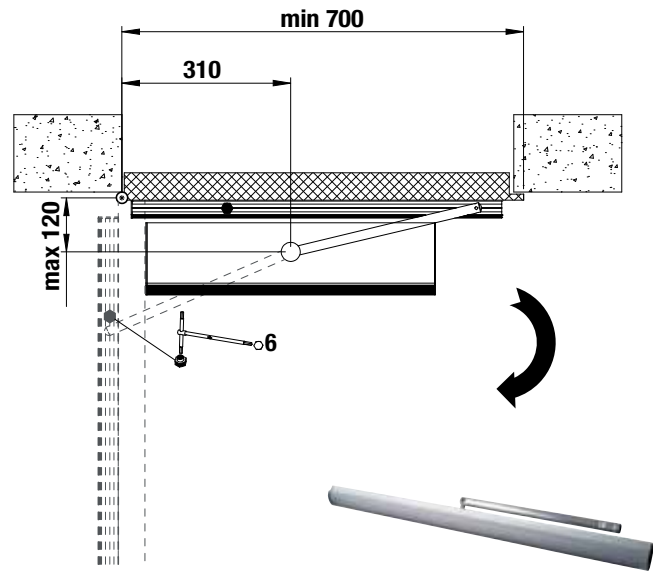
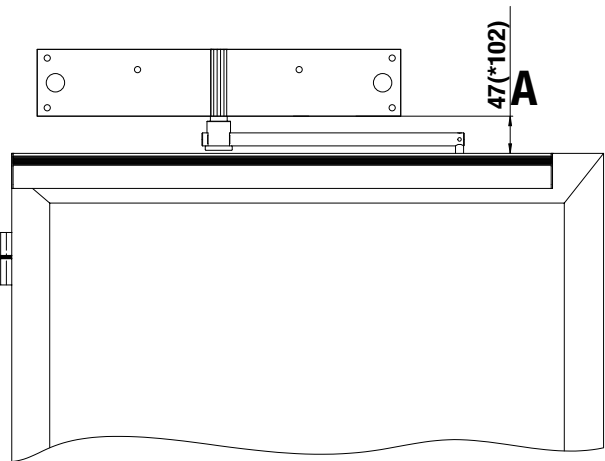
ACG9475B Multifunction rotary switch for swing door
wall-mounted/embedded - IP54

NEW



ACG9474B Multifunction rotary switch with key for swing door
wall-mounted/embedded - IP54

UP 2.0 with sliding arm cod. AA12052B for inside openings



Sliding arm

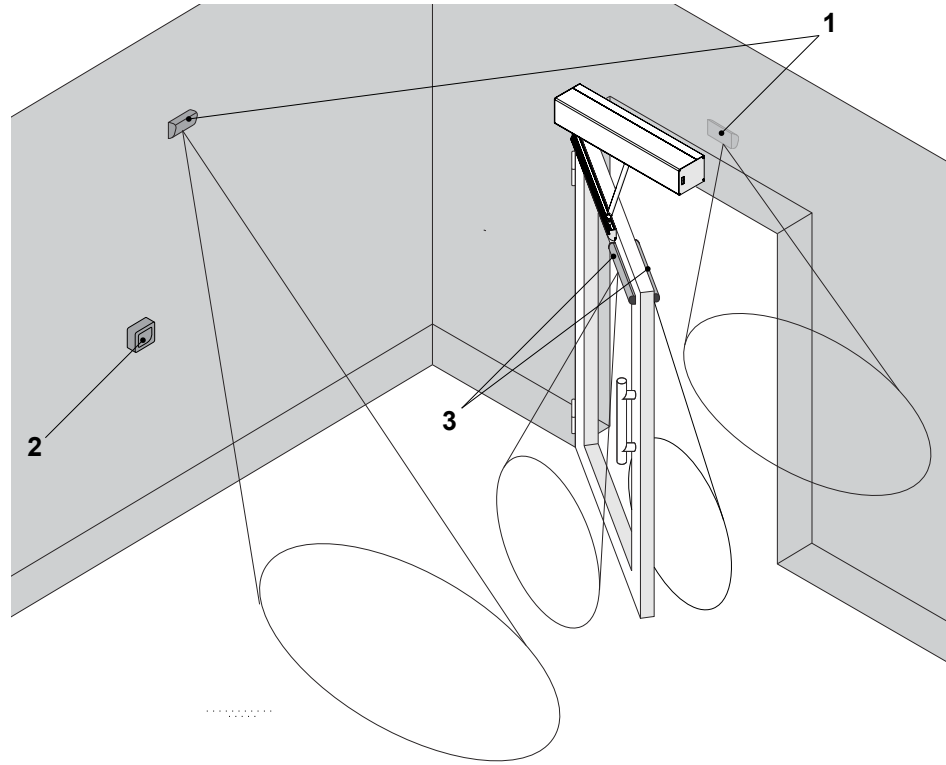
(*) If needed, use the extension bush ACG9485 to increase the gap "A" between the automation and the track to 102 mm.



ACG9485 Extension bush

UP 2.0 with sliding arm

- 1 - ACG9420B Microwave radar. IP30
- 2 - ACG9475B Multifunction rotary switch for swing door.
wall-mounted/embedded - IP54
- 3 - ACG9478 Safety sensor for swing door.
DIN 18650 / EN16005. IP54



NEW



ACG9420B MICROWAVE RADAR
Fitting height H 1,8÷4m
24.125 GHz - -20÷+60 °C
IP54 - 120x64x44



ACG9478 Safety radar for swing door
Max fitting height H 2,7m
EN 16005. DIN 18650.
IP 54 - 350x31x20