

K400

IRREVERSIBLE OPERATOR FOR RESIDENTIAL SLIDING GATES



- K400 is an operator for sliding gates weighing up to 400 Kg.
- The speed of the K400 can be adjusted from 9 to 20 m/min.
- K400 is equipped with built-in heater with temperature sensor.
- The base plate provided allows height adjustment and fixing to the ground with expansion screws or through cementation of its parts.
- Release with customized key.
- Adjustable deceleration when approaching opening and closure.
- Steel driving pinion.
- The manual release is fitted with a switch that commands the automatic repositioning of the gate in slow speed mode when normal functions are restored.
- K400 can do 30 cycles with two 1,2 Ah batteries during a blackout.
- K400 is equipped with an encoder for mapping electrical currents in order to automatically adjust impact sensitivity and in order to determine slowing phases correctly.
- In the control panel the memory of the remote control codes can be removed to facilitate the maintenance.
- L1 24V-CRX control panel can be managed by the Bluetooth cards APP or APP+.

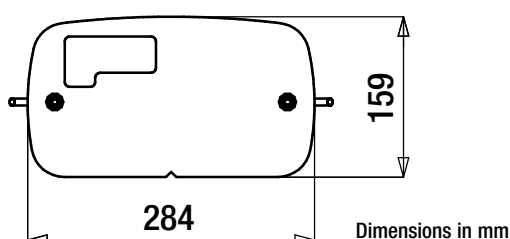
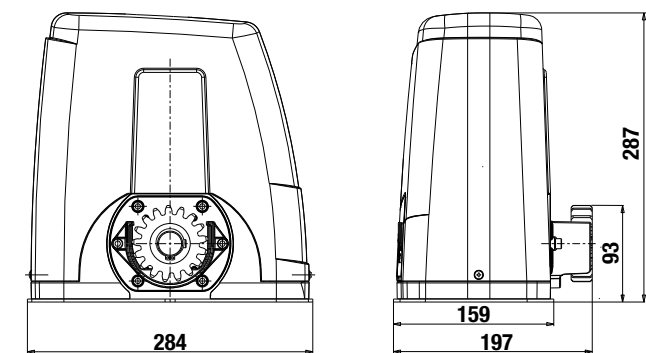
FOR SLIDING GATES WEIGHING UP TO 400 kg

NEW AA40928 K400 FCM with magnetic limit switches and L1 24V-CRX control panel

NEW AD00914 KIT K400 FCM with magnetic limit switches

GAR0064 Warranty extension 4 years for K400

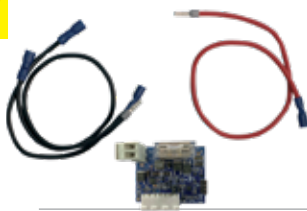
GAR0065 Warranty extension 7 years for K400



TECHNICAL DATA		K400
Max. gate weight	Kg	400
Operating speed	m/s	0,15÷0,33
Max. thrust force	N	434
Max torque	Nm	14,7
Power supply	V	230
Power absorbed	A	1
Rack module		4
Actuator weight	Kg	9,8
Protection grade	IP	44
Operating temperature	°C	-10 ÷ +55
Daily cycles suggested		78
Service	%	100
Nr of consecutive cycles guar.		16/5m

ACCESSORIES FOR K400

NEW



ACG4776 BATTERIES CHARGER
for K400 with L1 24V - It manages 2 batteries ACG9511 (or up to 12 Ah each) and can be connected to STECA SOLSUM 10.10F solar charge controller with 1 solar panel of 24V 100 W (or 2 by 12V 50 W connected in series)



ACG9511 BATTERY
1,2Ah 12V (order 2 pieces for each batteries charger ACG4776)



137



ACG8116 BASE PLATE
adapter CAME BX for K400



ACS9000 Module 4 RACK
(sect. 25 x 22 mm) in Nylon with right-angle (up to 1000 kg) in 1 m bars **per m**
ACS9001 Set 10 m



ACS9006 Module 4 RACK
(sect. 25 x 22 mm) in Nylon with right-angle (up to 1000 kg) in 1 m bars **per m**

NEW



ACS9020 Module 4 STEEL RACK
(sect. 22 x 22 mm) (up to 2200 kg)
in 2 m bars **per m**



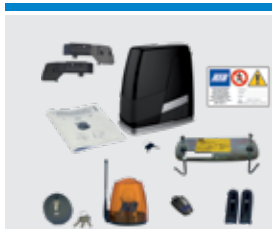
ACS9021 Module 4 Galvanised STEEL RACK (sect. 30 x 12 mm) (up to 2.000 kg) with fixing bolts
in 1 m bars **per m**



ACS9040 Module 4 STEEL RACK
(sect. 22 x 22 mm) with right-angle member (up to 2200 kg)
in 2 m bars **per m**



ACS9050 Module 4 STEEL RACK
(sect. 22 x 22 mm) with CATAPHORESIS treatment, right-angle member (up to 2200 kg) in 2 m bars **per m**



KIT K400

See page 104

starting from