

# SUPER 3600-4000

IRREVERSIBLE OPERATORS  
FOR INDUSTRIAL SLIDING GATES



- SUPER 3600 and SUPER 4000 are intended for an heavy-duty, with a fan-cooled electric motor, a reducer with mechanical components in an oil bath and an high-precision limit switch system for gates up to 13,5 m long.
- Thanks to the over-dimensioned mechanical SUPER allow uninterrupted operations.
- In 45 years of history, SUPER has been modified only in few parts and remains today one of the most reknown RIB products.
- L1/R2-CRX control panel has built-in radio receiver.



## FOR SLIDING GATES WEIGHING UP TO 3600 kg

NEW

AA31020	SUPER 3600 Fan-cooled	with built-in L1/R2-CRX pc board
AA31022	SUPER 3600 <b>FAST</b> Fan-cooled	with built-in L1/R2-CRX pc board
AA31024	SUPER 3600 <b>IGE</b> Fan-cooled	with built-in L1/R2-CRX pc board



## FOR SLIDING GATES WEIGHING UP TO 4000 kg

NEW

AA31030	SUPER 4000 3-phase Fan-cooled	with built-in L1/R2-CRX pc board
AA31032	SUPER 4000 <b>IGE</b> 3-phase Fan-cooled	with built-in L1/R2-CRX pc board
AA36061	SUPER 4000 3-phase Fan-cooled	without pc board
AA36075	SUPER 4000 <b>IGE</b> 3-phase Fan-cooled	without pc board



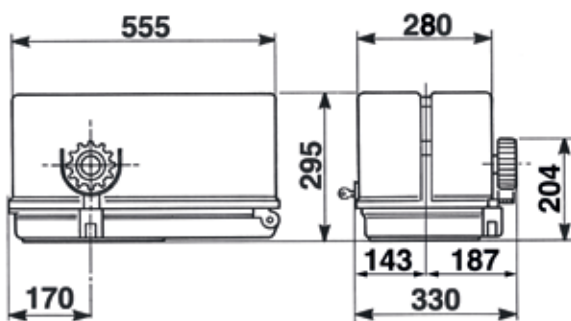
**IGE**

With special lubricants (for immediate starts with temperatures as low as -30°C)

**FAST**

Operator with speed of 20m/min. Not to be used on gates ending their run against a pillar or a U-shape bar. It is prerrable when they end their run next to the pillar.

GAR0016	Warranty extension 4 years for SUPER 3600-4000
GAR0017	Warranty extension 7 years for SUPER 3600-4000
GAR0018	Warranty extension 10 years for SUPER 3600-4000

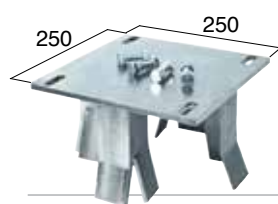


12 x

Dimensions in mm

TECHNICAL DATA		SUPER 3600	SUPER 3600 <b>FAST</b>	SUPER 4000
Max. gate weight	Kg	3600		4000
Operating speed	m/s	0,165	0,33	0,165
Max. thrust force	N	4700	2380	6600
Max torque	Nm	200	100	280
Power supply	V	230		400
Power absorbed	A	8,7	9,7	4
Rack module		6		
Actuator weight	Kg	42		
Protection grade	IP	55		
Operating temperature	°C	-10 ÷ +55		
Daily cycles suggested		700		
Service	%	100		
Nr of consecutive cycles guar.		700/10m		

# ACCESSORIES FOR SUPER 3600-4000



**ACG8103 BASE PLATE**



**ACG7089 LIMIT SWITCH**  
group for gates longer than 13 m  
(up to max 18 m)



**NEW**



**ABL1/R2RX L1/R2-CRX**  
pc board  
for 1 SUPER 4000 AA36061-  
AA36075. With box IP55.  
See page 134 and 144



**ACS9060 Module 6 STEEL RACK**  
(sect. 30 x 30 mm )  
in 2 m bars  
**per m**



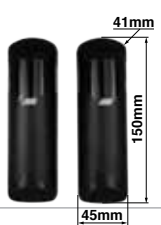
**ACS9080 Module 6 STEEL RACK**  
(sect. 30 x 30 mm)  
with right-angle member  
in 2 m bars  
**per m**



**ACS9090 Module 6 STEEL RACK**  
(sect. 30 x 30 mm)  
with right-angle member and  
CATAPHORESIS treatment,  
in 2 m bars  
**per m**



**ACG4093 Traction gear for M4**  
rack



**ACG8046 NOVA**  
infrared signal range = 15÷40m  
infrared signal adjustable 180°  
IP44 - 12/24V ac/dc



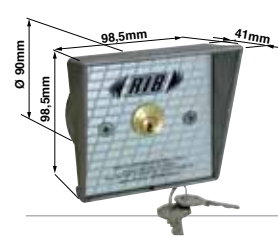
**ACG8039 PAIR OF COLUMNS**  
H = 0,5 m  
for NOVA



**ACG8011 F97I**  
embedded  
in aluminum  
infrared signal range 80 m  
IP 54 - 12/24V ac/dc



**COLUMN**  
for F97P and F97I  
ACG8040 H = 0,5 m  
ACG8030 H = 1 m  
ACG8031 H = 0,5+1 m



**ACG1010 KEY SELECTOR** to be  
embedded  
open-close  
in aluminum  
IP44



**ACG8030 COLUMN H = 1 m**  
for ACG1010 and ACG1030  
1000 x 80 x 80 mm  
galvanised