

# SUPER 6000-8000

IRREVERSIBLE OPERATORS  
FOR INDUSTRIAL SLIDING GATES



- SUPER 6000 is designed to operate gates weighing up to 6 tons and is complete of a selfbraking motor to reduce the inertial movement and an oleodynamic turbine which permits gradual starts.
- SUPER 8000 **FAST** is the new operator with high speed able to manage sliding gates extremely long and heavy.
- SUPER 8000 **FAST** has an inverter (for gradual start-up and deceleration in the last part of the run), four independent watertight limit switches and an electrobrake (to stop the leaf at the end of the run, thereby eliminating the inertia generated).
- SUPER 8000 **FAST** is designed to operate gates weighing up to 8 tons. Hence SUPER 8000 **FAST** is the most powerful sliding gate operator in the world.
- Thanks to the over-dimensioned mechanical SUPER allow uninterrupted operations.
- In 45 years of history, SUPER has been modified only in few parts and remains today one of the most reknown RIB products.



## FOR SLIDING GATES WEIGHING UP TO 6000 kg

AA38004	SUPER 6000 3-phase Fan-cooled	with electrobrake and without pc board
AA38006	SUPER 6000 <b>ICE</b> 3-phase Fan-cooled	with electrobrake and without pc board



With special lubricants (for immediate starts with temperatures as low as -30°C)

## FOR SLIDING GATES WEIGHING UP TO 8000 kg

**NEW**

AA31040	SUPER 8000 <b>FAST</b> 3-phase Fan-cooled	with electrobrake, inverter, pc board L1-CRX
---------	---	--



Operator with speed of 20m/min. Not to be used on gates ending their run against a pillar or a U-shape bar. It is preferable when they end their run next to the pillar.

GAR0019	Warranty extension 4 years for SUPER 6000-8000
GAR0020	Warranty extension 7 years for SUPER 6000-8000
GAR0021	Warranty extension 10 years for SUPER 6000-8000



# ACCESSORIES FOR SUPER 6000-8000



ACG8105 BASE PLATE

**NEW**



ABL1/R4RX L1/R4-CRX pc board for 1 3-PHASE SUPER 6000 With box IP55. See page 134 and 144



137



ACS9060 Module 6 STEEL RACK (sect. 30 x 30 mm) in 2 m bars

per m



ACS9080 Module 6 STEEL RACK (sect. 30 x 30 mm) with right-angle member in 2 m bars

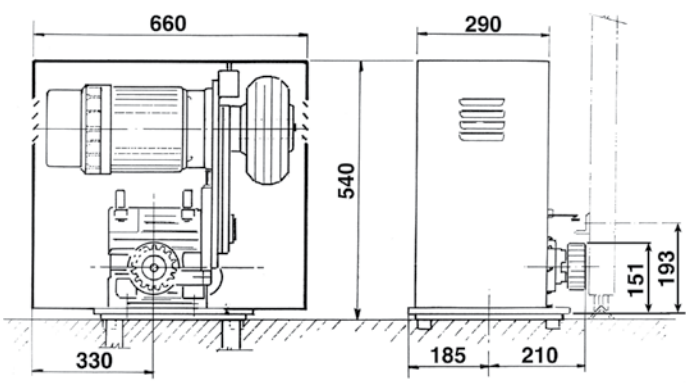
per m



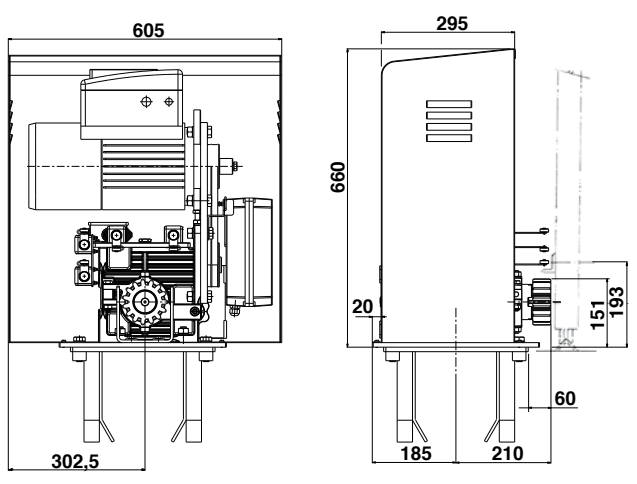
ACS9090 Module 6 STEEL RACK (sect. 30 x 30 mm) with right-angle member and CATAPHORESIS treatment, in 2 m bars

per m

**SUPER 6000**



**SUPER 8000 FAST**



Dimensions in mm

TECHNICAL DATA		SUPER 6000	SUPER 8000 <i>FAST</i>
Max. gate weight	Kg	6000	8000
Operating speed	m/s	0,160	0,33
Max. thrust force	N		9000
Max torque	Nm		405
Power supply	V		400
Power absorbed	A		6,39
Rack module			6
Actuator weight	Kg	123	120
Protection grade	IP		55
Operating temperature	°C		-10 ÷ +55
Daily cycles suggested			700
Service	%		100
Nr of consecutive cycles guar.			700/10m