

K800

IRREVERSIBLE OPERATOR FOR RESIDENTIAL SLIDING GATES



- Equipped with built-in pc board, without radio receiver, with **gradual start**, electronic adjustment of the force, **soft-stop** in approaching and **electronic brake** (as standard features).
- All the K operators allow **slow-down of the gate when approaching**, giving the travel a greater impression of safety and fluidity.
- K800 24V FCM **FAST** can do 30 cycles with 2 2.2Ah batteries during a blackout.
- Release with personalized key or allen key.
- L1-CRX: Pedestrian opening command. Photocells autotest as required by EN12453. Built-in heating system with ACG4665 to withstand -30°C.

FOR SLIDING GATES WEIGHING UP TO 800 kg

NEW

AA31130	K800 FCE	with L1-CRX pc board, electro-mechanical limit switches
AA31137	K800 FCM FAST	with L1-CRX pc board, magnetic limit switches and encoder
AA31136	K800 FCM	with L1-CRX pc board, magnetic limit switches
AA31134	K800 24V FCM FAST	with L1 24V-CRX pc board, magnetic limit switches



NEW

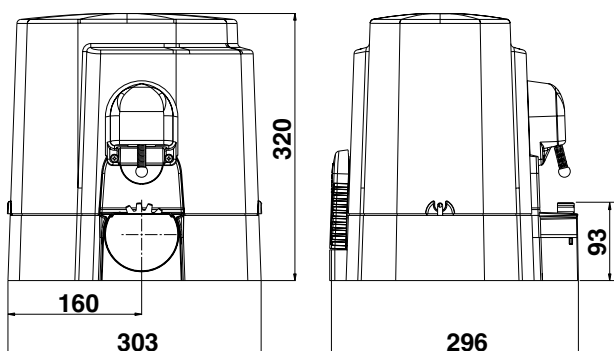
AD31130	KIT K800 FCE
AD31136	KIT K800 FCM
AD31134	KIT K800 24V FCM FAST

FAST

Operator K800 FCM **FAST** has a speed of 20 m/min and operator K800 24V FCM **FAST** has a speed adjustable from 13,2 to 24 m/min. To be installed only with steel rack. Not to be used on gates ending their run against a pillar or a U-shape bar. It is preferable when they end their run next to the pillar.

GAR0010 Warranty extension 4 years for K800

GAR0011 Warranty extension 7 years for K800

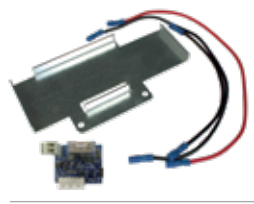


Dimensions in mm

TECHNICAL DATA		K800 24V FAST	K800	K800 FAST
Max. gate weight	Kg		800	
Operating speed	m/s	0,22÷0,40	0,16	0,33
Max. thrust force	N	550	600	700
Max torque	Nm	18,5	20,4	24
Power supply	V	24	230	
Power absorbed	A	0,47	1,38	2,08
Rack module		4		
Actuator weight	Kg	13	10,5	12,3
Protection grade	IP	44		
Operating temperature	°C	-10 ÷ +55		
Daily cycles suggested		300		400
Service	%	100	50	70
Nr of consecutive cycles guaranteed		60/10m	8/6m	21/10m

ACCESSORIES FOR K800 24V **FAST**

NEW



ACG4775 BATTERIES CHARGER
for K800 24V with L1 24V and support for two batteries ACG9515. It manages 2 batteries up to 12 Ah each and can be connected to STECA SOLSUM 10.10F solar charge controller with 1 solar panel of 24V 100 W (or 2 by 12V 50 W connected in series)



ACG9515 BATTERY
2,2Ah 12V for K800 with ACG4675 (order 2 pieces for each ACG4675)

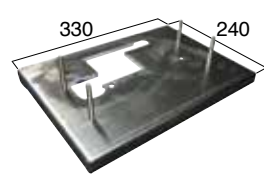


137

ACCESSORIES FOR K800

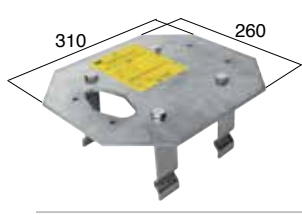


ACG4665 PROBE
for K-CRX 2007 and L1-CRX to keep the motor warm (for prompt start at low temperatures)



ACG8118 BASE PLATE
adapter CAME BX for K800

ACCESSORIES FOR ALL K800 OPERATORS



ACG8107 BASE PLATE
for K800-1400-2200



ACS5460 SET PLUS
Encoder to detect obstacles during opening and closing operations.



ACS9000 Module 4 RACK
(sect. 25 x 22 mm) in Nylon with right-angle (up to 1000 kg) in 1 m bars **per m**
ACS9001 Set 10 m



ACS9006 Module 4 RACK
(sect. 25 x 22 mm) in Nylon with right-angle (up to 1000 kg) in 1 m bars **per m**



ACS9020 Module 4 STEEL RACK
(sect. 22 x 22 mm) (up to 2200 kg) in 2 m bars **per m**

NEW



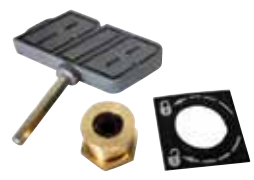
ACS9021 Module 4 Galvanised STEEL RACK (sect. 30 x 12 mm) (up to 2.000 kg) with fixing bolts in 1 m bars **per m**



ACS9040 Module 4 STEEL RACK
(sect. 22 x 22 mm) with right-angle member (up to 2200 kg) in 2 m bars **per m**



ACS9050 Module 4 STEEL RACK
(sect. 22 x 22 mm) with CATAPHORESIS treatment, right-angle member (up to 2200 kg) in 2 m bars **per m**



ACG8672 RELEASE LOCK WITH ALLEN KEY



KIT K800

See page 105

starting from