

PUSH

IRREVERSIBLE OPERATOR
FOR SKYLIGHTS, DOMES, SHADES, ETC



137



PUSH 30

- PUSH 30 is a linear spindle actuator with rigid shaft provided with limit switch via microswitches, the ideal automation for transoms and domes. PUSH 30 is provided also with fixing brackets and has a max travel of 30 cm.



PUSH CA 30

- PUSH CA 30 is a chain operator provided with limit switch via microswitches and interner magazine for the chain. Ideal for outward opening windows and transoms (by means of the provided bracket for bottom-hung windows ACG7080). It is fitted with accessories and drilling templates for fitting the operator to the window.



PUSH CR 35-55

- PUSH CR 35 is a linear actuator provided with rack and electronic limit switch suitable for domes, skylights, top-hinged windows and other very heavy windows (by connection of the idle unit ACG7081 it is possible to have two thrust points for windows with big dimensions).

ROD OPERATOR FOR DOMES, VERTICAL SUNBLINDS, JALOUSIE AND OUTWARD OPENING WINDOWS

AA05108 PUSH 30



CHAIN OPERATOR FOR BOTTOM HINGED, TOP HINGED AND SKYLIGHT WINDOWS

AA05109 PUSH CA 30



ACG7080 ATTACHMENT FOR
INSIDE OPENING
for PUSH CA 30

RACK OPERATOR FOR BOTTOM HUNG OUTWARD OPENING, SHED, SKYLIGHT, DOMED, JALOUSIE AND SLIDING WINDOWS AND VERTICAL SUNBLINDS

AA05110 PUSH CR 35

AA05111 PUSH CR 55



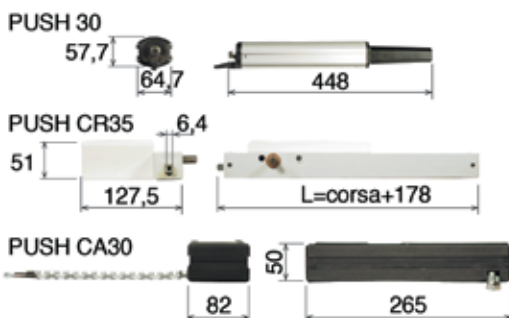
ACG7081 ADDITIONAL POWER
TRANSMISSION UNIT
for PUSH CR 35



ACG7082 ADDITIONAL POWER
TRANSMISSION UNIT
for PUSH CR 55



ACG7083 TRANSMISSION SHAFT
L = 2 m
FOR ADDITIONAL POWER
TRANSMISSION UNIT



Dimensions in mm

TECHNICAL DATA		PUSH 30	PUSH CA 30	PUSH CR 35	PUSH CR 55
Max. Stroke	cm	30	9÷30	35	55
Max. Torque	N	450	300	650	
Can be connected in parallel		YES			
Power Supply	V	230			
Absorption	A	0,7	0,8	0,09	
Limit switch		REED	Microsw.	Electronic	
Actuator Weight	kg	2	1,7	2,5	2,7
Protection grade	IP	55	20	65	
Daily cycles suggested		30			

BOY

IRREVERSIBLE OPERATOR FOR
VASISTAS AND SHUTTERS



137



- Operating stroke is adjustable and limited by two electric limit switches.
- In the event of power failure, simply rotate the crank on the actuator to open the window or door.

AA55002 BOY with limit switches

ACCESSORIES FOR BOY



ACT9035 Support for BOY



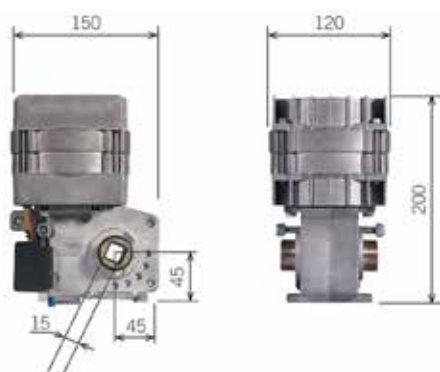
ABJ8042 R-CRX 2.0
control board for 1 BOY
with radio receiver 433 MHz.
With box IP55.
See page 141 and 147



ACT9030 ARTICULATED CRANK
for manual operation



ACT9020 EXTENSION SHAFT
for manual operation



Dimensions in mm

TECHNICAL DATA		BOY
Max Torque	Nm	50
Speed	rpm	15
Limit switch winding capacity	n. rotat.	12
Power Supply	V	230
Absorption	A	2,5
Actuator weight	kg	7
Protection grade	IP	30
Daily cycles suggested		30
Service	%	30
Nr of consecutive cycles guar.		3/48s